

# ELEMENT Cylinder 2" and 3" Pendant Mount

EC\_RP\_ 1.0

## VISUAL COMFORT & Co.

ARCHITECTURAL COLLECTION

### GENERAL PRODUCT INFORMATION:

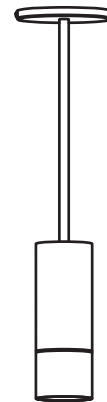


This product is suitable for damp locations.

This product can be dimmed with a standard electronic dimmer or 0-10V dimmer.

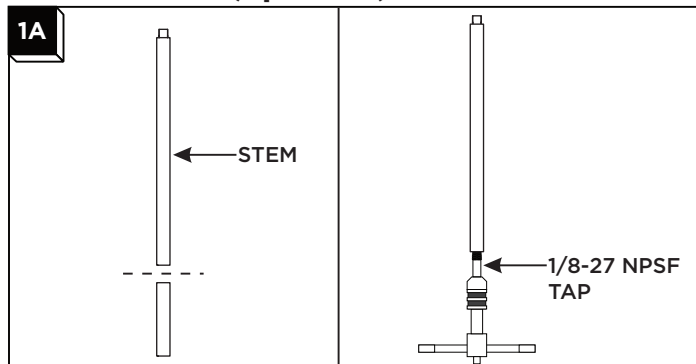
This instruction shows a typical installation.

**SAVE THESE INSTRUCTIONS!**



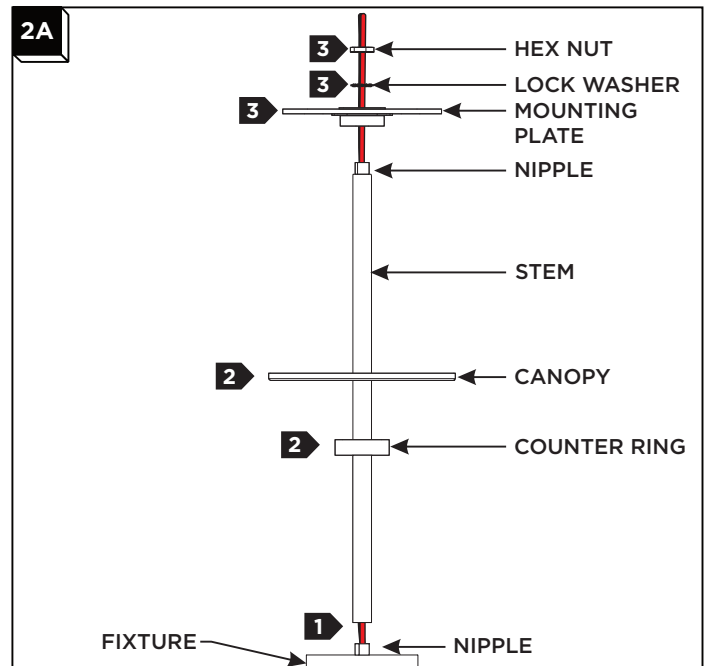
**CAUTION - RISK OF FIRE**  
 This product must be installed in accordance with the applicable installation code by a person familiar with the construction and operation of the product and the hazards involved.  
**Use minimum 90°C supply conductors.**

### Cut the Stem (optional)



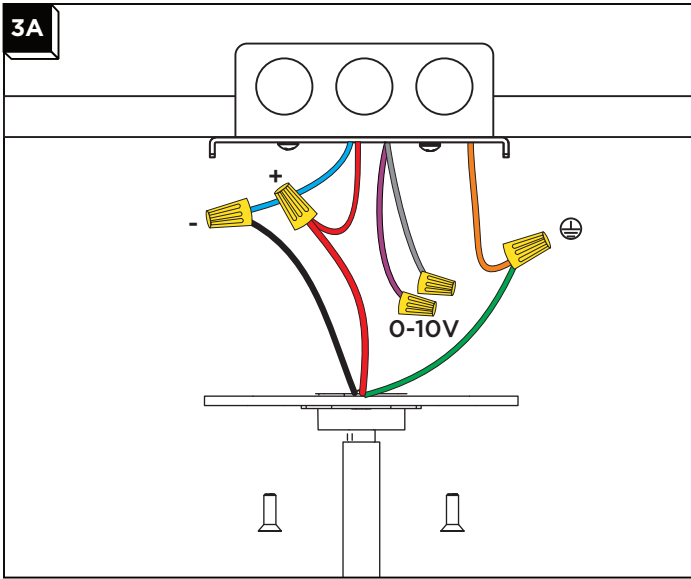
- 1** Cut the stem, on the female end, to the desired length.
- 2** De-burr the cut end and thread it at a distance of 0.500" with a standard 1/8-27 NPSF tap (supplied by installer).

### Assemble the Fixture



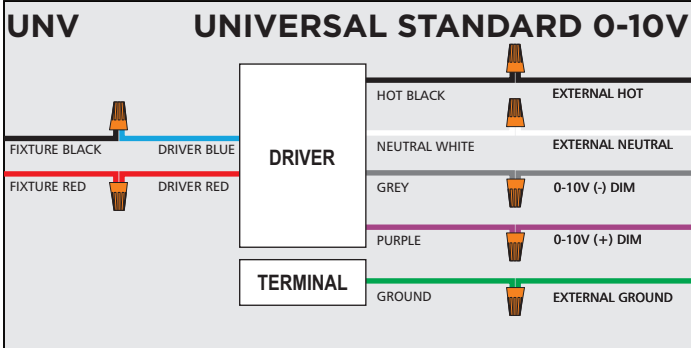
- 1** Feed the wiring through the stem, apply a thread lock adhesive to the threads, and screw the stem to the top of the fixture until flush (**do not over tighten**).
- 2** Slide the counter ring then canopy, in that order, over the stem.
- 3** Place the mounting plate on to the stem and secure it in place with the lock washer and nut.

## Wire the Fixture

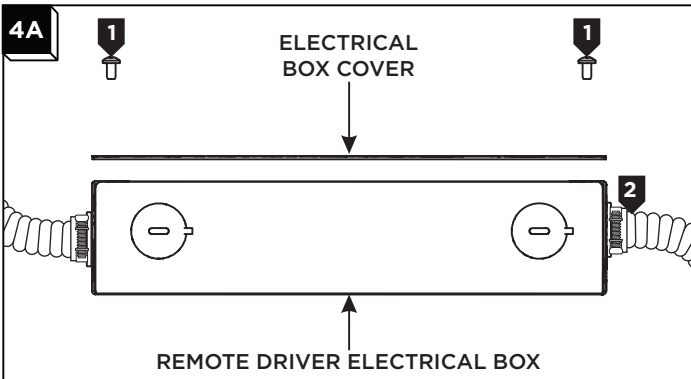


- 1 Use the following wiring diagram to wire your fixture.
- 2 Make sure to cap 0-10V dimming wires if not being used.

## Wiring Diagrams (Driver Located in J-box)



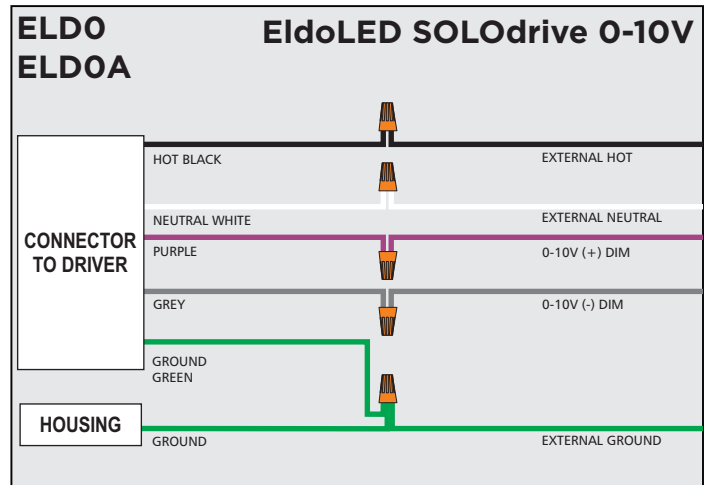
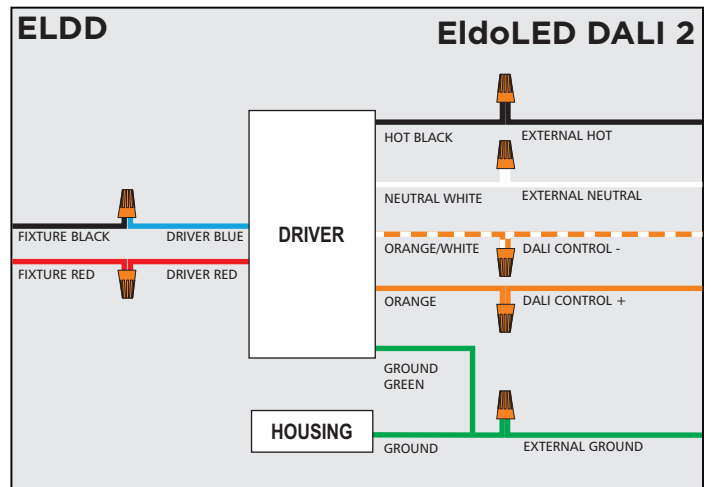
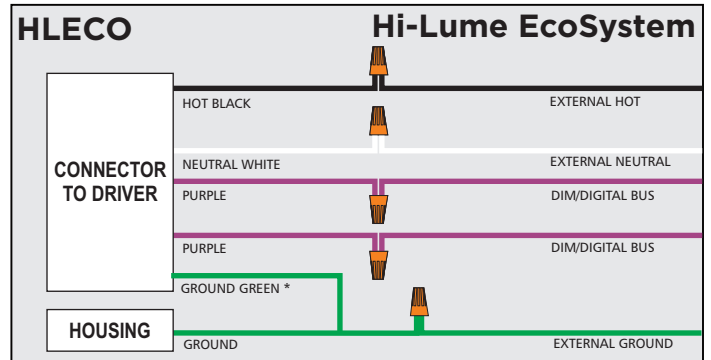
## Connect Power to the Housing (Remote Drivers)



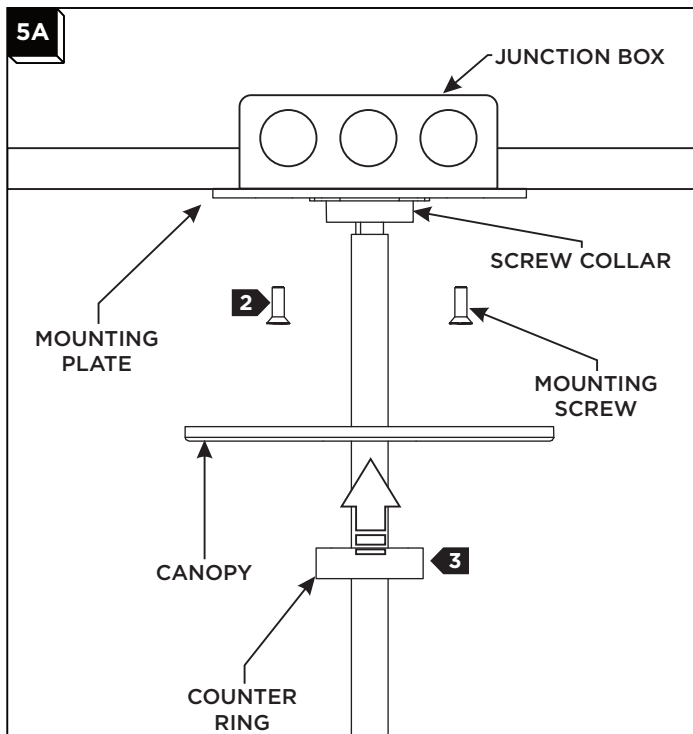
- 1 Open remote driver junction box by removing 2 screws.
- 2 Connect conduit or Romex to junction box with the proper fittings
- 3 Use the wiring diagrams to wire your fixture accordingly.

## Wiring Diagrams (Remote Drivers)

**WARNING: Do not connect red and blue wires from fixture to line voltage.**

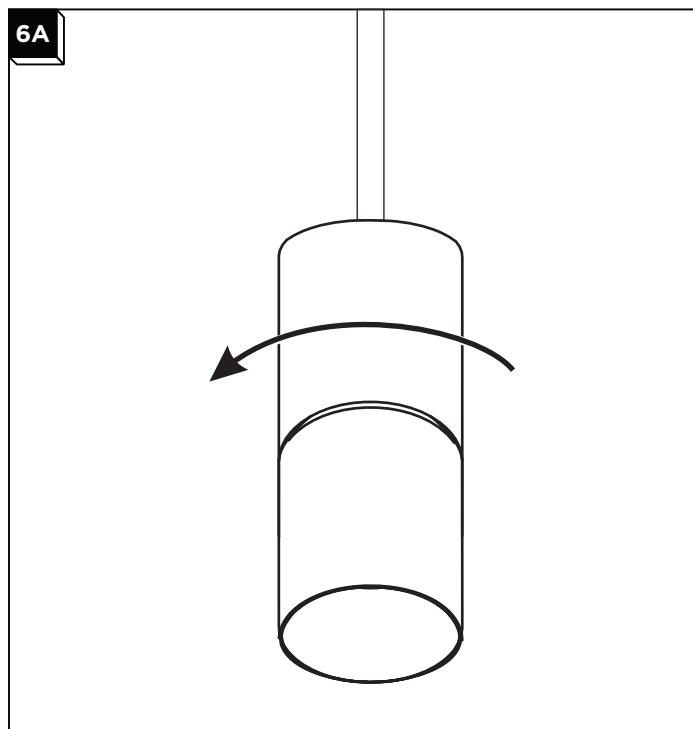


## Install the Fixture



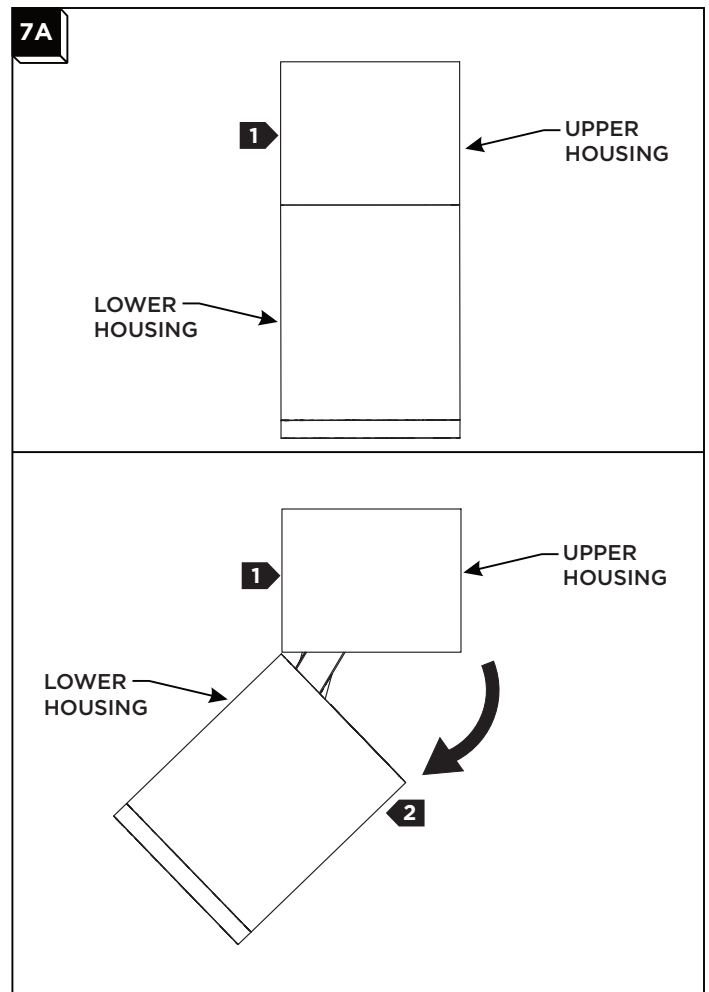
- 1 Neatly place all wires and wire nut connections inside the canopy.
- 2 Secure the mounting plate to the junction box with the mounting screws.
- 3 Slide the canopy up over the mounting plate and screw the counter ring onto the screw collar to secure it in place.

## Rotate the Cylinder



- 1 For adjustable and wall wash fixtures: the cylinder can rotate 358° to assist with aiming at the wall.

## Adjust the Angle (Adjustable only)

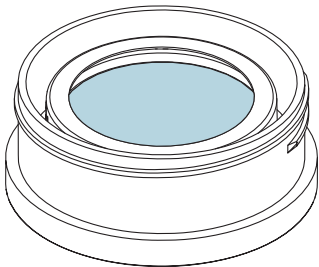
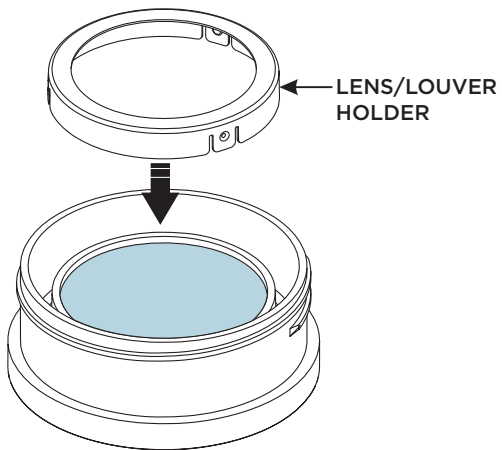
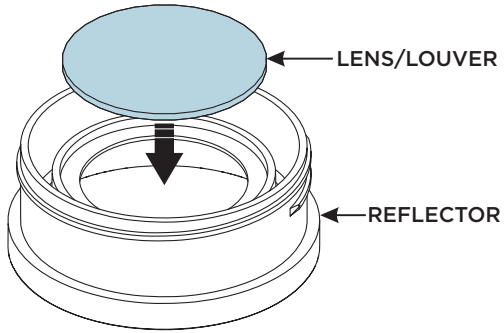


- 1 Hold the upper portion of the housing with one hand for support.
- 2 With the other hand, pull the lower portion of the housing away to adjust the tilt (0° - 90°). Note: the fixture may need to be rotated to see where the hinge is located.

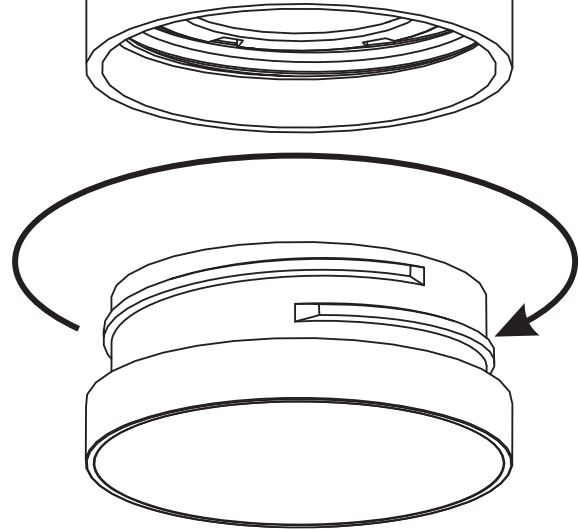
## Install the Reflector Accessory

**NOTE:** Lenses and louvers are not compatible with decorative accessories.

8A



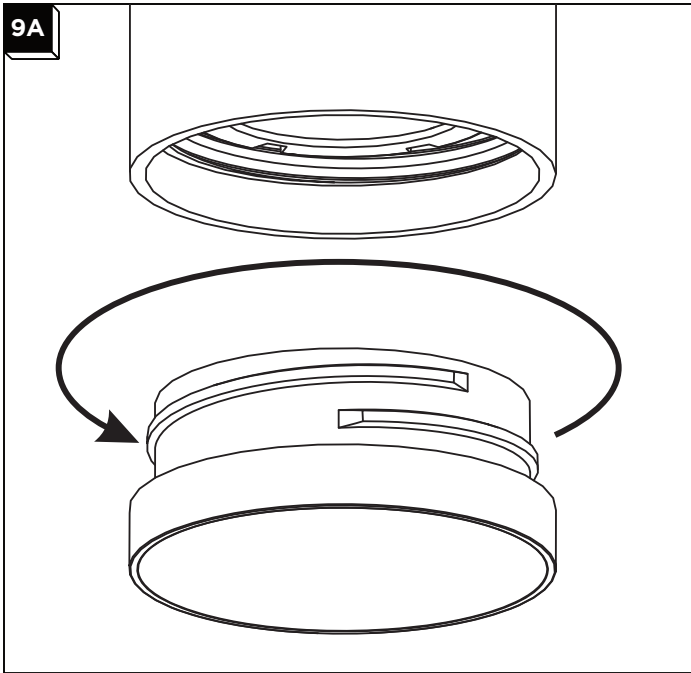
8B



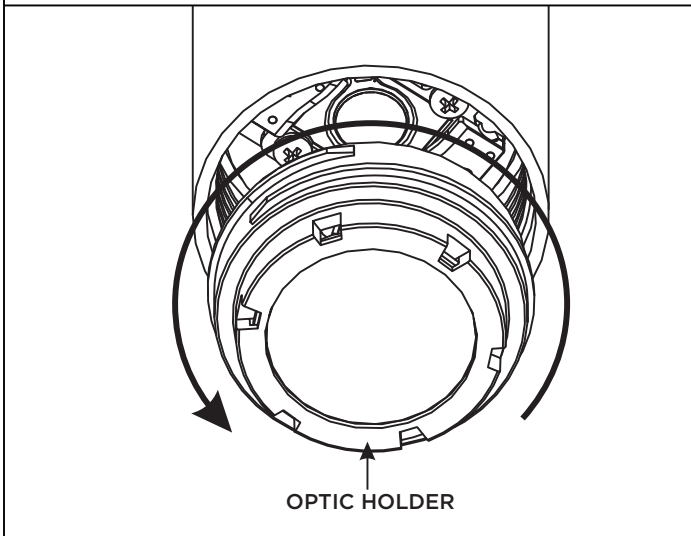
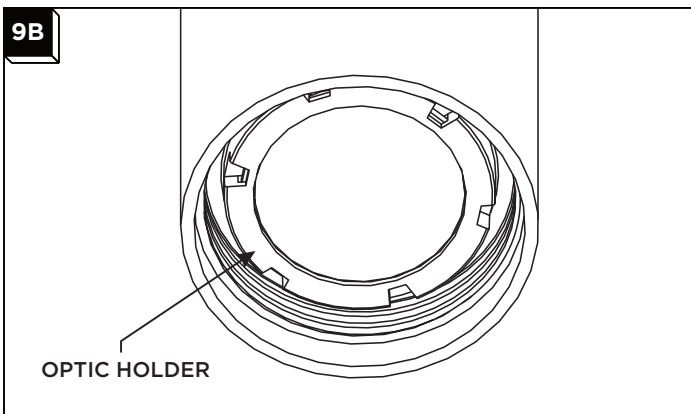
- 3** Install the reflector by inserting it into the bottom of the Cylinder and screw it in as far as it will go.

- 1** In the accessory reflector place the lens or louver.
- 2** Firmly press the lens holder down onto the lens or louver to secure it.

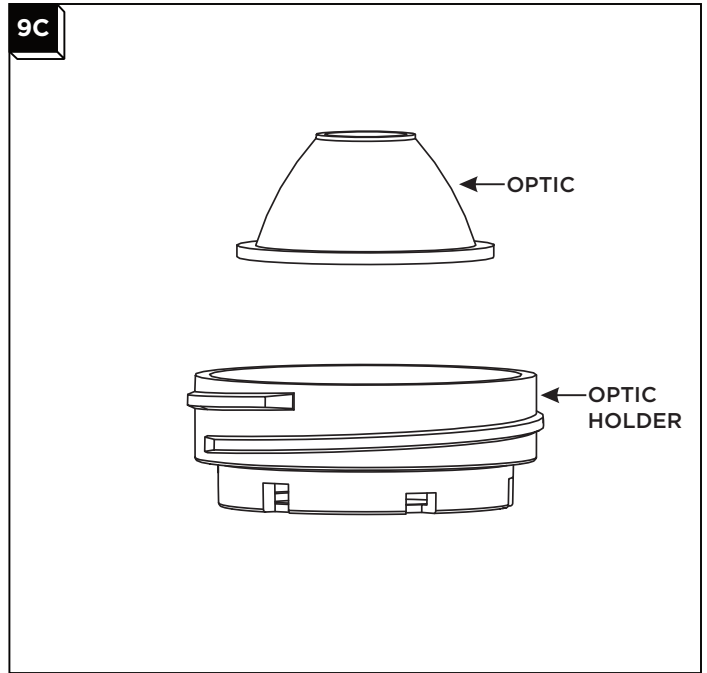
## Replacing the Optic



- 1** Hold the main body of the Cylinder, unscrew and remove the reflector.



- 2** Unscrew the optic holder. Note: if the holder is too tight to initially turn by hand, a tool may be used to carefully turn it by grabbing one of the holes on the holder.



- 3** Remove the old optic and replace with new, ensuring it is seated evenly and properly in the holder.

- 4** Reinstall the reflector by inserting it into the bottom of the Cylinder and screw it in as far as it will go. (reversal of section 11A).

**Notes:**

**Notes:**

**Notes:**